

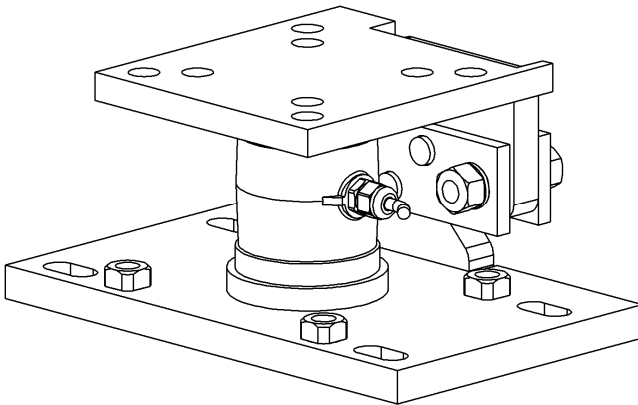


CT Elite Mount

Installation Instructions

And

Repair Parts



Ft. Atkinson, Wisconsin USA



Panningen, The Netherlands

www.digi-star.com

TABLE OF CONTENTS

INTRODUCTION	1
TECHNICAL SPECIFICATIONS.....	2
Mount Dimensions	2
SAFETY DURING USE	3
Cleaning.....	3
Charging Battery and Welding	3
ASSEMBLE MOUNTS	4
INSTALL MOUNTS.....	7
LEVELING MOUNTS.....	8
PERIODIC MAINTENANCE	9
REPAIR PARTS	10

All rights reserved. Reproduction of any part of this manual in any form whatsoever without Digi-Star's express written permission is forbidden. The contents of this manual are subject to change without notice. All efforts have been made to assure the accuracy of the contents of this manual. However, should any errors be detected, Digi-Star would greatly appreciate being informed of them. The above notwithstanding, Digi-Star can assume no responsibility for errors in this manual or their consequence.

© Copyright! 2008 Digi-Star, Fort Atkinson (U.S.A.).

INTRODUCTION

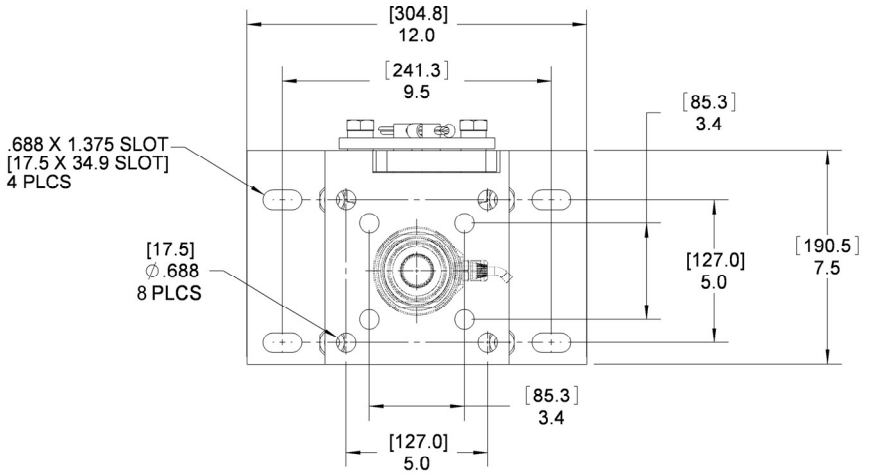
The Digi-Star CT Elite mounts are specifically designed to be used with the Digi-Star CT 10k, 30k and 50k compression load cells. The “floating design” mounts are used in stationary bin weighing applications. Checking action of the floating mount prevents side or swaying loads from interfering with the accuracy of the scales.

TECHNICAL SPECIFICATIONS

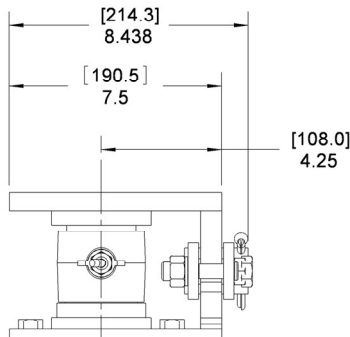
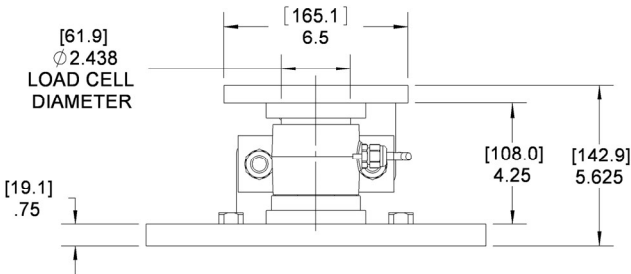
Mounts: Welded steel mounts with Zinc plating

Capacity: 50,000 lbs (22,685 kg)

Mount Dimensions



CAPACITY = 50,000 LBS



SAFETY DURING USE



Caution

Cleaning

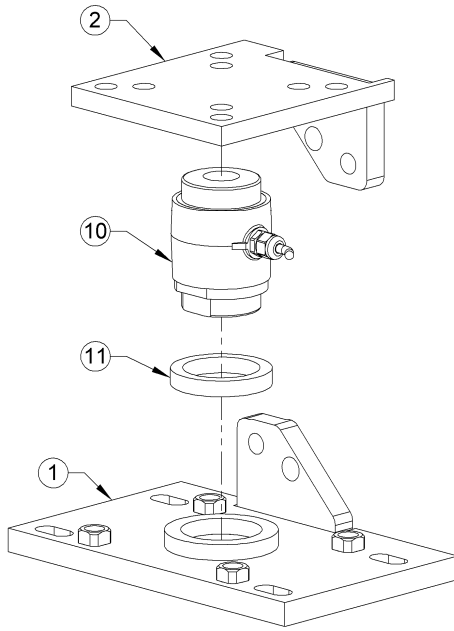
Do not use running water (high pressure cleaners, hoses) to clean the indicator.

Charging Battery and Welding

Disconnect all cables from the weighing indicator before charging the battery or welding on the machine. If cables are left connected, the weighing indicator and connected load cells could be damaged.

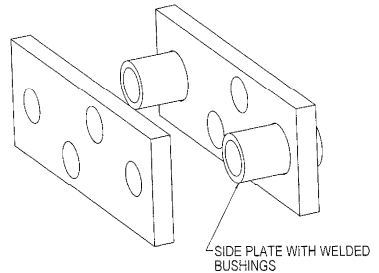
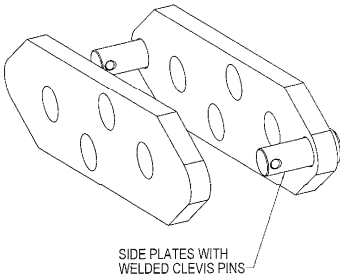
Important: Do not weld near indicator, load cells or cables, remove from area to be welded. Place ground close to area to be welded to prevent current from passing through electronic parts.

ASSEMBLE MOUNTS



1. Place sealing ring (Key 11) on center ring of base plate (Key 1).
2. Insert CT Load Cell (Key 10) into sealing ring.
3. Mount top plate assembly (Key 2) on top of load cell, line up with center ring of top plate.

QUESTION: What type of CT mount side plates do you have?

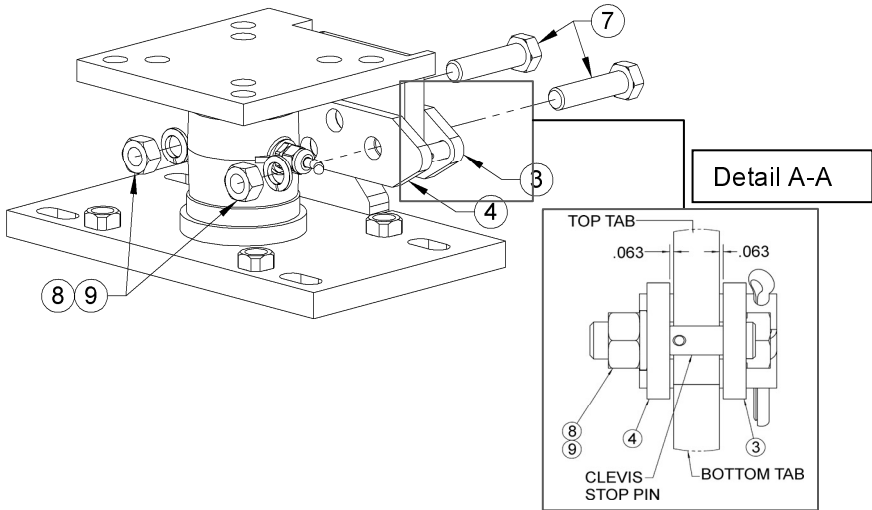


OPTION 1: If Clevis Pin design then go to page 5. Follow steps 4-8.

OPTION 2: If Bushing design then go to page 6. Follow steps 9-11.

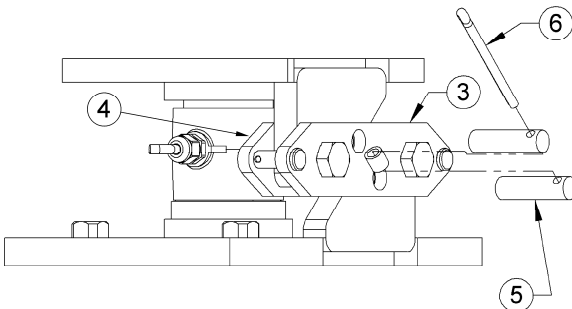
Option 1: Clevis Stop Pin Side Plates

Follow steps 1-3 from page 4.



4. Align plate weldment (Key 3) on the outside of the mounting plate tabs. Align plate (Key 4) on the inside of tabs.
5. Pass bolts (Key 7) thru welded plate (Key 3), mounts and inner plate (Key 4) as shown in figure above.
6. Install nuts (Key 9) and lockwashers (Key 8). Tighten until inner plate (Key 4) is flat and tight against clevis pin stop. See Detail A-A.

Important: After nuts/lockwashers are tightened, side plates (Keys 3, 4) must be loose and free and must not contact plate weldment vertical tabs otherwise weighing errors will result.

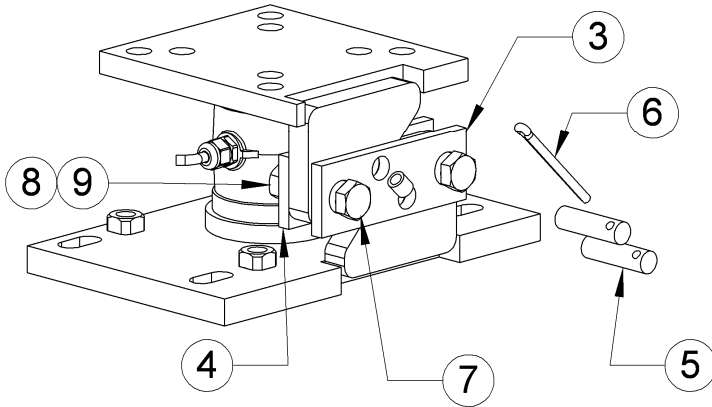


7. Insert pins (Key 5) into inner holes on retaining plates
8. Secure with cotter pin (Key 6), make sure it passes through pipe section on plate weldment (Key 3). Bend cotter pin to secure.

Go to Page 7.

Option 2: Bushing Stop Side Plate

Follow steps 1-3 from page 4.



9. Insert outer plate weldment (Key 3) through outer holes of mounting plate tabs. Align inner retaining plate (Key 4) on inside of mounting tab.
10. Secure plates together by passing bolts (Key 7) through bushing stop and thread into inner plate (Key 4). Install nuts (Key 9) and lock washer (Key 8) and tighten.
Note: After nut/lock washers are tightened, side plates (Key 3, 4) will remain loose around top and bottom plate tabs. This prevents weighing errors.
11. Insert Pins (Key 5) into inner retaining plate holes. Secure with cotter pin (Key 6) and make sure it passed through pipe section. Bend cotter pin.

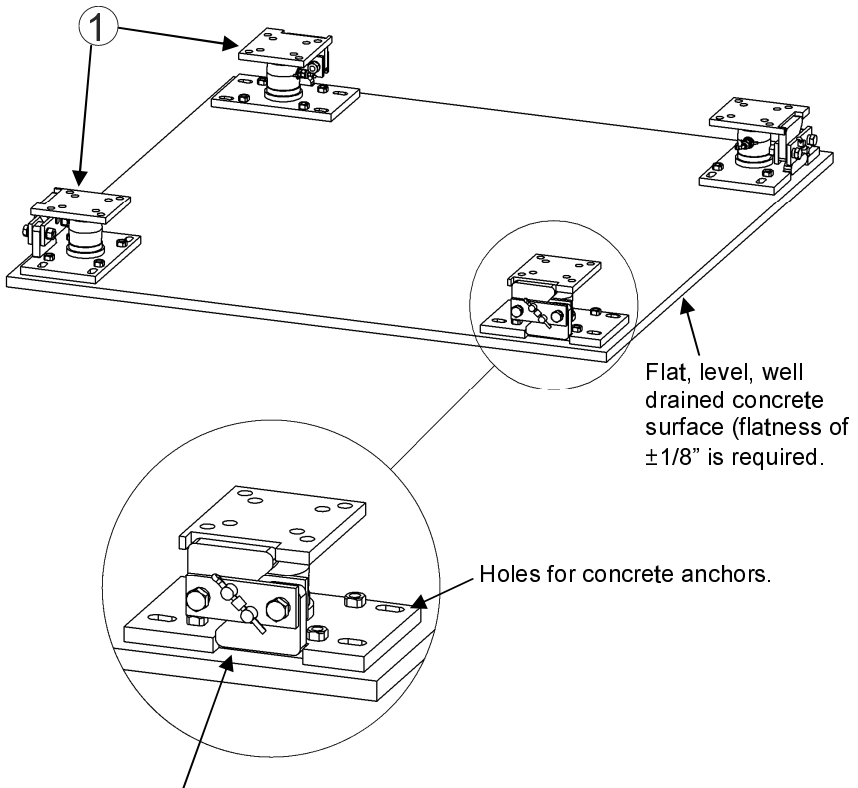
Go to page 7.

INSTALL MOUNTS

Figure below shows a typical stationary bin application. Mounts can be bolted to bin leg supports first.

1. Position mounts (Key 1) so they are rotated 90° as shown in figure below. This will restrict movement of mounts in directions up/down or left/right.
2. Secure to concrete pad with 5/8-11 or 16x2.0mm concrete anchors. Four required per mount. Do not tighten hardware. Proceed to “Level Mounts” (see page 8) if required.

Important: Follow the concrete anchor manufacturer’s installation instructions.



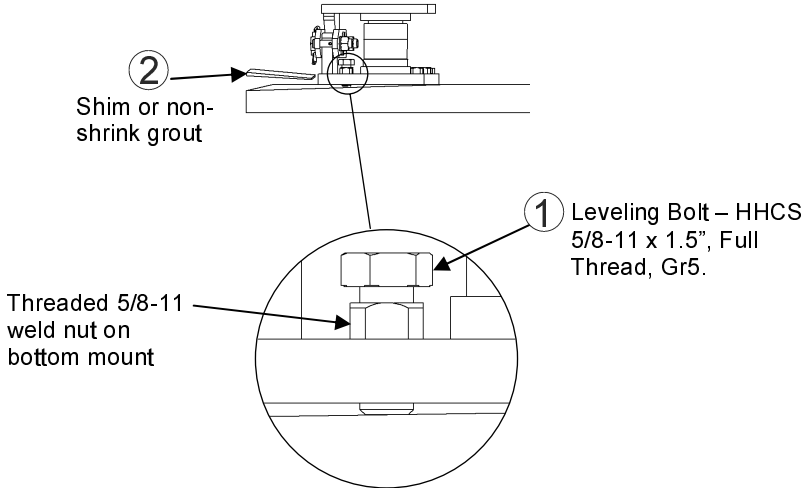
Flat, level, well drained concrete surface (flatness of $\pm 1/8"$ is required).

Holes for concrete anchors.

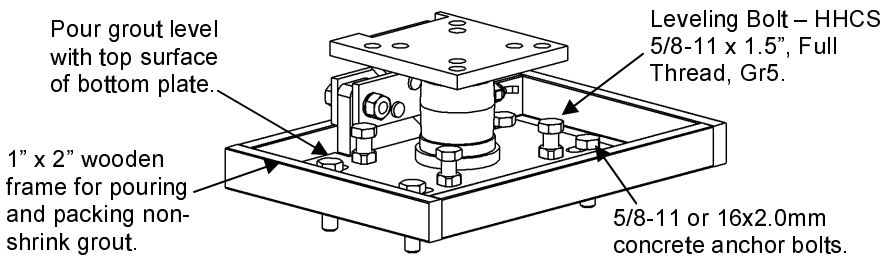
Remove any dirt, rocks or foreign debris from under supports, supports must be flush with concrete pad.

LEVELING MOUNTS

For certified scale applications, there are 4 threaded weld nuts so that each mount can be leveled.



1. Insert leveling bolts (user supplied) into threaded weld nuts and tighten until mount is level in both directions.
2. When level, insert steel shims (proceed to step 4) or non-shrink grout (Step 3) between uneven surface and bottom mount to support load. The leveling bolts are not designed to support the load.
3. **Non-Shrink Grout Installation.** Build a wooden frame around each mount. Mix up the non-shrinkable grout. While using chemical resistant rubber gloves, push the grout in underneath the mounts. Leave the frame until grout has set-up per manufacturer's instructions. Grout specifications: Multi-purpose non-shrink grout: Sanded, Portland-based non-shrink grout. Free of iron particles, chloride and gypsum. Must meet or exceed ASTM-C-1107 (Grade B).



4. Fully tighten all concrete anchor bolts.

PERIODIC MAINTENANCE

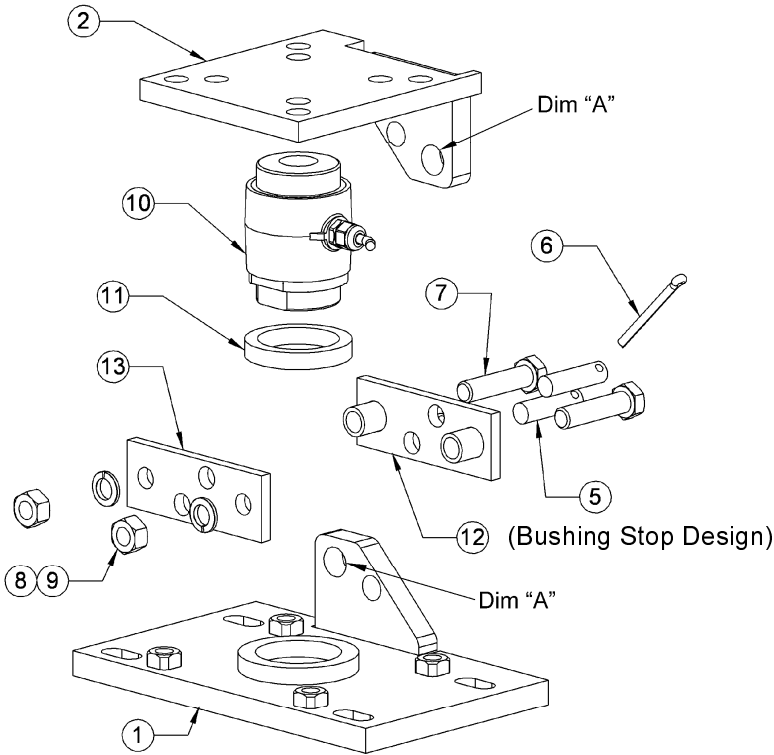
Every 6 months:

Check mounts for loose nuts and bolts.

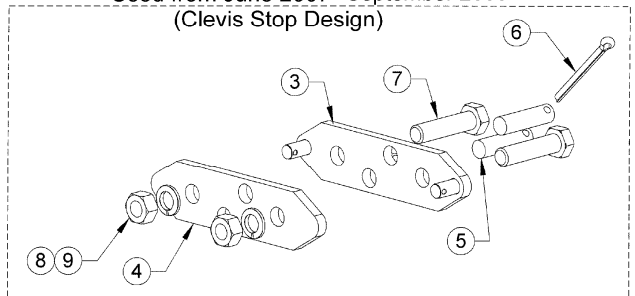
Make sure that side retaining plates are free to move.

REPAIR PARTS

(P/N 405797 Pack-CT Mount Elite)



Used from June 2007- September 2009
(Clevis Stop Design)



KEY	QTY.	PART NO.	DESCRIPTION	NOTES
1	1	404581	WELDMENT-CT MOUNT LOWER	Dim "A" = .656" (Clevis Stop Design)
	1	405796	WELDMENT-CT MOUNT LOWER	Dim "A" = .906" (Bushing Stop Design)
2	1	404582	WELDMENT-CT MOUNT UPPER	Dim "A" = .656" (Clevis Stop Design)
	1	405794	WELDMENT-CT MOUNT UPPER	Dim "A" = .906" (Bushing Stop Design)
3	1	404938	WELD-PLATE CT MOUNT ZP	(Clevis Stop Design)
4	1	404937	PLATE-CT MOUNT ZP	(Clevis Stop Design)
5	2	153024	PIN-CT MOUNT	
6	1	404968	PIN-COTTER 1/4 X 3.0 ZP	
7	2	404971	SCR-M16X2X65 HHCS ZP	
8	2	404969	WASH-M16 LOCK ZP	
9	2	404970	NUT - M16x2 ZP	
10	1	REF	CELL-CT 30K TC-30' (.10%)	
11	1	830409	RING-SEALING 1/2" SPONGE	
12	1	405821	WELD-PLATE CT MOUNT	(Bushing Stop Design)
13	1	153023	PLATE-CT MOUNT THRD	(Bushing Stop Design)