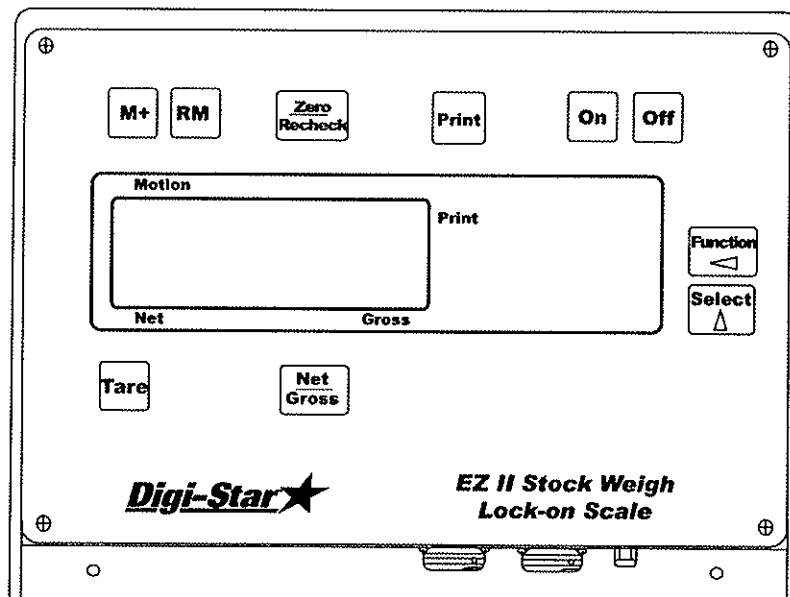




STOCKWEIGH SCALE

MODEL 3300 AND MODEL 6600



INSTALLATION AND OPERATION GUIDE

DIGI-STAR
790 WEST ROCKWELL AVENUE
FORT ATKINSON, WISCONSIN 53538
PHONE: (920) 563-1400
TECHNICAL SERVICE: 1-800-225-7695 • (920) 563-9700

TABLE OF CONTENTS

Introduction	1
Warranty.....	2
Stockweigh Parts	3
EZII Scale Accessories	3
Stockweigh Specifications.....	4
Initial Set Up.....	4
Load Cell Dimensions	5
Typical Platform Construction	6-7
System Operation	8-9
Lock-On Set Up.....	9
Optional EZ 3200 Indicator.....	10-11
Installation Requirements.....	12
Troubleshooting	13

INTRODUCTION

The Digi-Star EZII Stockweigh is a highly reliable scale designed for weighing live animals. The new Auto-Lock feature allows this scale to weigh active and restless animals within $\pm 1\%$ of actual weight.

The EZII Stockweigh Model 3300 has a gross capacity of 3300 lbs. (1500 kgs.). The Model 6600 is rated for 6600 lbs. (3000 kgs.) gross capacity.

DIGI-STAR WARRANTY

GUARANTEE

Digi-Star warrants correcting by repair or replacement, at Digi-Star's option, any defect in material or workmanship in any part of electronic scale products (unless otherwise specified on selected products). In the event of replacement, Digi-Star's sole obligation shall be to provide replacement product or parts, FOB. Check with your dealer or OEM for specific duration.

LIMITATIONS

This Limited Warranty does not apply to electronic scale products, accessories or parts not manufactured by Digi-Star, except to the extent of the warranty given by the actual manufacturer thereof. Furthermore, this warranty shall not apply to:

1. Parts or products requiring replacement due to normal wear and tear, or due to improper installation, abuse, neglect or required maintenance, accident, fire, lightning or other acts of God.
2. Equipment that has been repaired or modified by person(s) not authorized by Digi-Star, which in Digi-Star's judgment has affected the performance or reliability.

Digi-Star does not warrant any part or product to meet local, municipal, state, provincial or national laws and/or regulations.

EXCLUSION OF OTHER WARRANTIES AND REMEDIES

Except where such disclaimers and exclusions are specifically prohibited by applicable law, the foregoing sets forth the ONLY GUARANTEE or warranty applicable to this transaction, and such warranty is given expressly and in lieu of all other warranties, express or implied, or merchantability and fitness for a particular purpose and all such implied warranties which exceed or differ from the warranty set forth herein are hereby disclaimed by Digi-Star. Oral statements about the products covered by this transaction made by Digi-Star's representatives, or statements contained in Digi-Star's general advertising, pamphlets, brochures, or other printed matter, shall not constitute warranties. Except where such limitations and exclusions are specifically prohibited by applicable law, the sole and exclusive remedy against Digi-Star shall be for the repair or replacement of defective parts as provided, and no other remedy (including but not limited to incidental, special, indirect, or consequential damages for lost profits, lost sales, injury to persons or property, or an other loss) shall be available. This exclusive remedy shall not be deemed to have failed of its essential purpose as long as Digi-Star is willing and able to repair or replace defective parts in the prescribed manner.

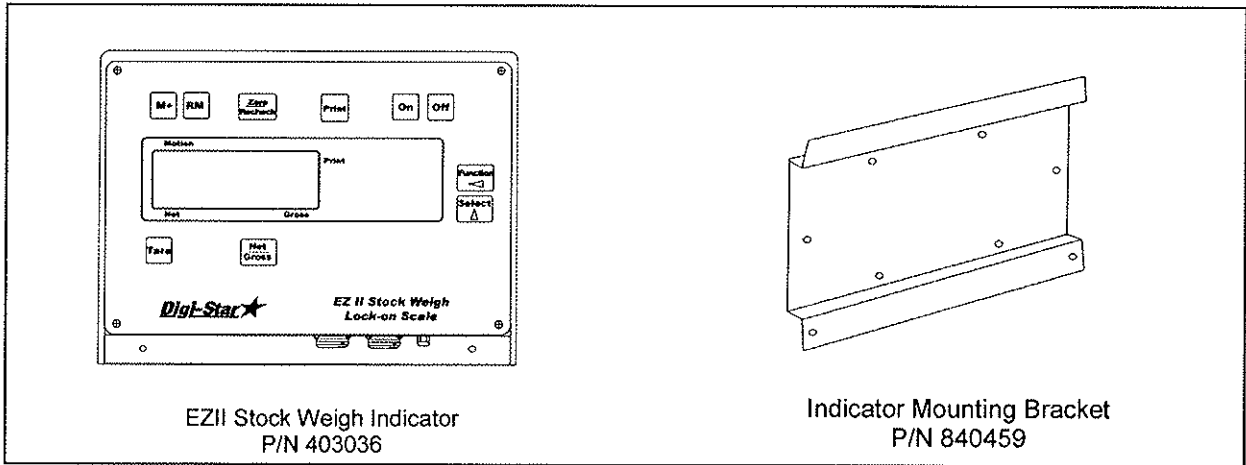
PRODUCT CHANGES AND IMPROVEMENTS

We reserve the right to make changes in design, to add improvements to or otherwise modify our electronic scale products without incurring an obligation on goods previously purchased and to discontinue supplying any parts listed when the demand does not warrant production.



790 W Rockwell Avenue, Fort Atkinson, WI 53538

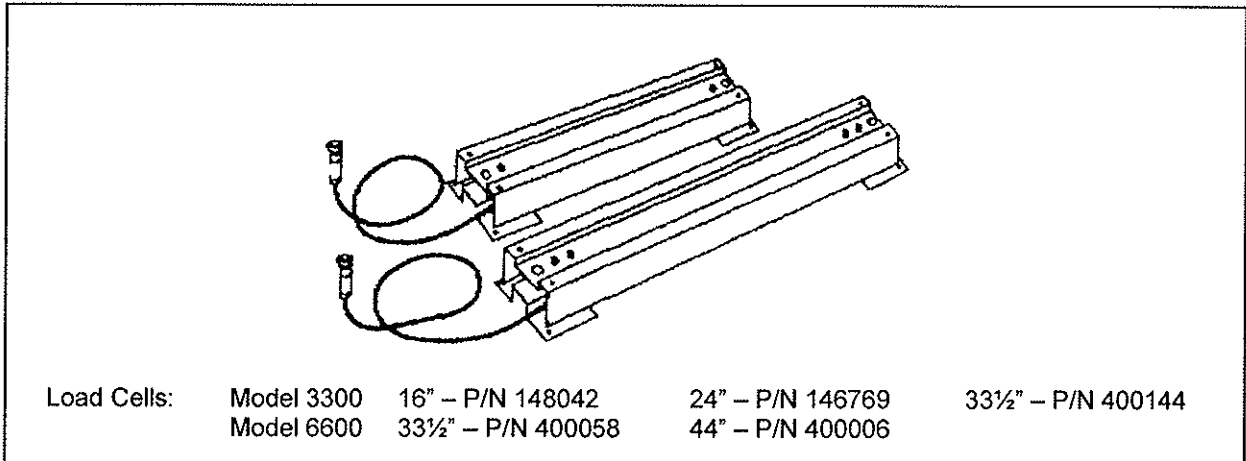
EZII SCALE PARTS



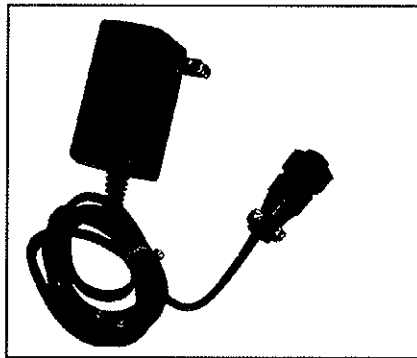
EZII Stock Weigh Indicator
P/N 403036

Indicator Mounting Bracket
P/N 840459

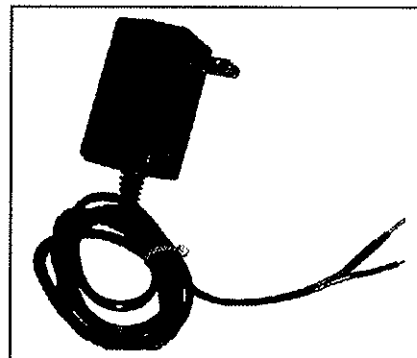
EZII Stockweigh Indicator Pack P/N 403091 – Includes one EZII Stockweigh Indicator and one Mounting Bracket



110 AC to
12V DC
Converter
6' Cord
P/N
148156



OR



Separate 10'
Power Cord
P/N 146698
and
Power
Converter with
6' Cord P/N
146030

EZII SCALE ACCESSORIES

PRE-FABRICATED STEEL DECKS ARE AVAILABLE:

30" X 30"
48" X 48"

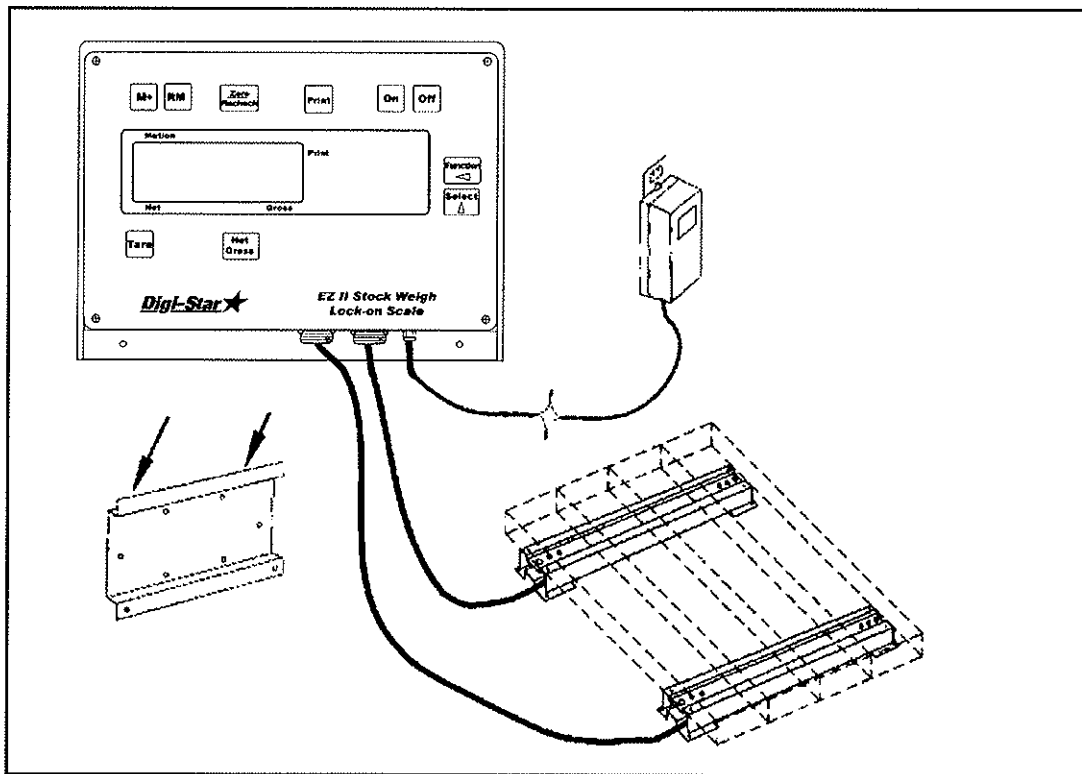
MODEL 3300
MODEL 6600

P/N 148151
P/N 148152

STOCKWEIGH SPECIFICATIONS

<p>Gross Capacity Model 3300: 3300 lbs. Maximum Model 6600: 6600 lbs. Maximum</p> <p>Accuracy: ±1% and ±1Display Increment</p> <p>Load Cell Overall Dimensions Model 3300: 3¾" H x 8¼" W x 16, 24 & 33½" L Model 6600: 3¾" H x 8¼" W x 33½ & 44" L</p> <p>Load Cell Cable Length: 14 Feet</p>	<p>Resolution (For Both Models)</p> <table border="1"> <thead> <tr> <th>Increment</th> <th>Range</th> </tr> </thead> <tbody> <tr> <td>1 lbs or kgs</td> <td>0-300 lbs or kgs</td> </tr> <tr> <td>2 lbs or kgs</td> <td>300-600 lbs or kgs</td> </tr> <tr> <td>5 lbs or kgs</td> <td>600 ⇄ lbs or kgs</td> </tr> </tbody> </table> <p>Power Requirements: 12-14 VDC @ approx 1 Amp</p> <p>AC to DC Converter 110 VAC to 13.8VDC @ 1.2 Amps</p>	Increment	Range	1 lbs or kgs	0-300 lbs or kgs	2 lbs or kgs	300-600 lbs or kgs	5 lbs or kgs	600 ⇄ lbs or kgs
Increment	Range								
1 lbs or kgs	0-300 lbs or kgs								
2 lbs or kgs	300-600 lbs or kgs								
5 lbs or kgs	600 ⇄ lbs or kgs								

INITIAL SET UP

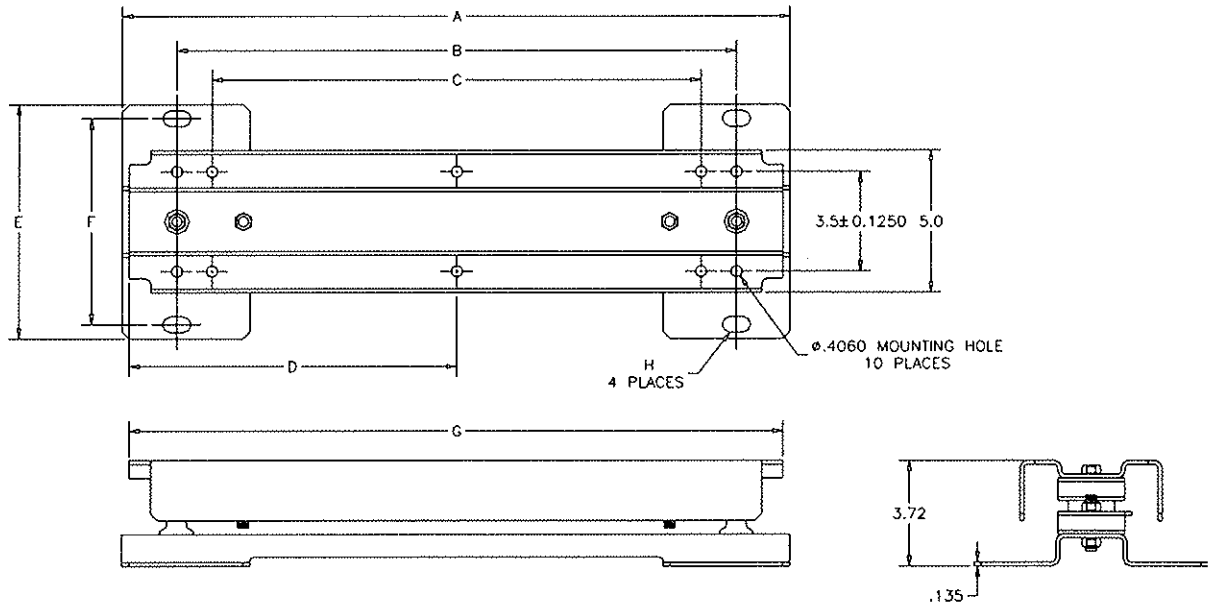


Scale Configuration

LOAD CELL DIMENSIONS

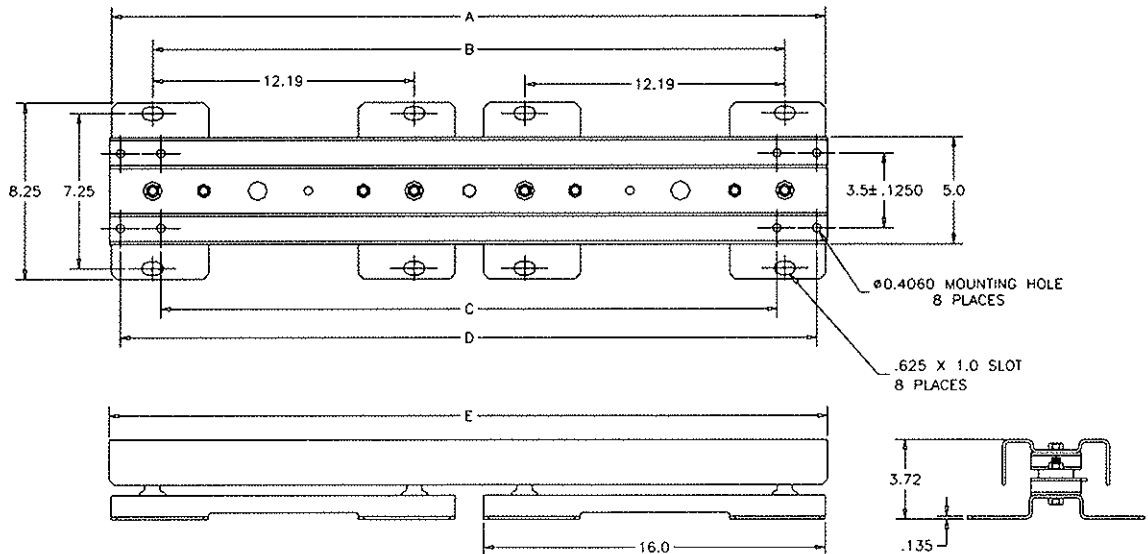
Model 3300

	A	B	C	D	E	F	G	H
148042 16" SW 3300	16"	12.19"	N/A	7.75"	8.25"	7.25"	15.5"	.625" X 1.0" SLOT
146769 24" SW 3300	23.5"	19.69"	17.19"	11.5"	8.25"	7.25"	23"	.562" X 1.0" SLOT
148095 32" SW 3300	32.5"	31.5"	28.75"	N/A	6"	5"	32"	.406" HOLE
400144 32 1/2" SW 3300	32.5"	28.75"	23.5"	N/A	8.25"	7.25"	33.5"	.562" X 1.0" SLOT



Model 6600

	A	B	C	D	E
400058 33.5" SW 6600	33.31"	29.5"	28.75"	32.5"	33.5"
400006 44" SW 6600	43.81"	40.0"	N/A	43.0"	44.0"



DO-IT-YOURSELF PLATFORM DESIGN

TYPICAL WOOD PLATFORM CONSTRUCTION

The following two platforms can be built using readily available building materials. Alternate decking material (plywood or steel grating) may be used if properly supported. An example of proper support could consist of either concrete or timber piers, or a concrete slab. Treated lumber is recommended for decking material.

If alternate deck sizes and/or materials are used, be aware that too much deck deflection will affect weighing accuracy. A heavy strong structure is better than a light one that flexes.

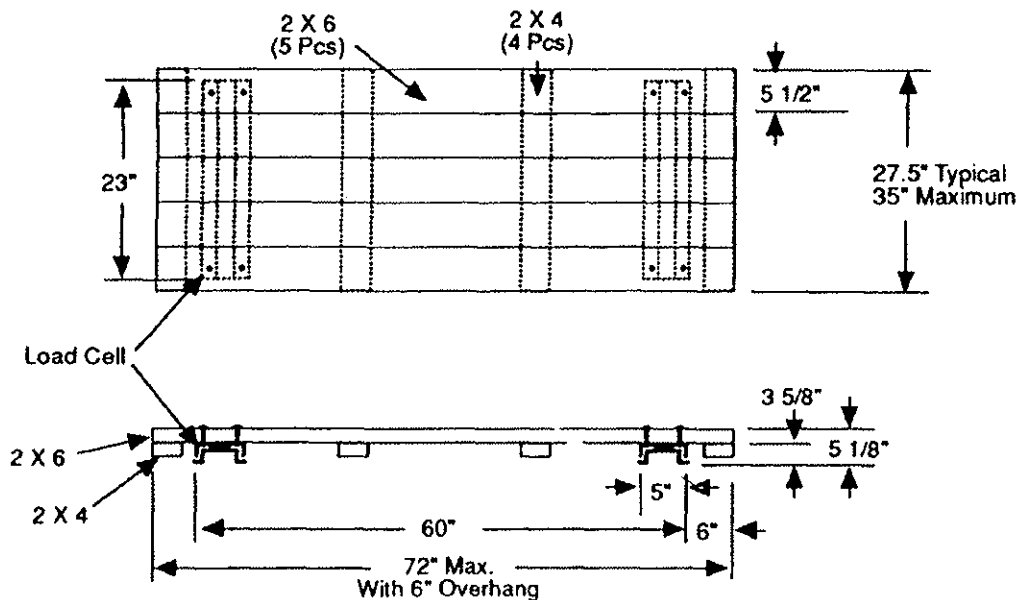


CAUTION

Do not weld to load cells with load cell cables connected to the indicator. If you must weld with load cells connected, locate welder ground so that current will not flow through the load cell.

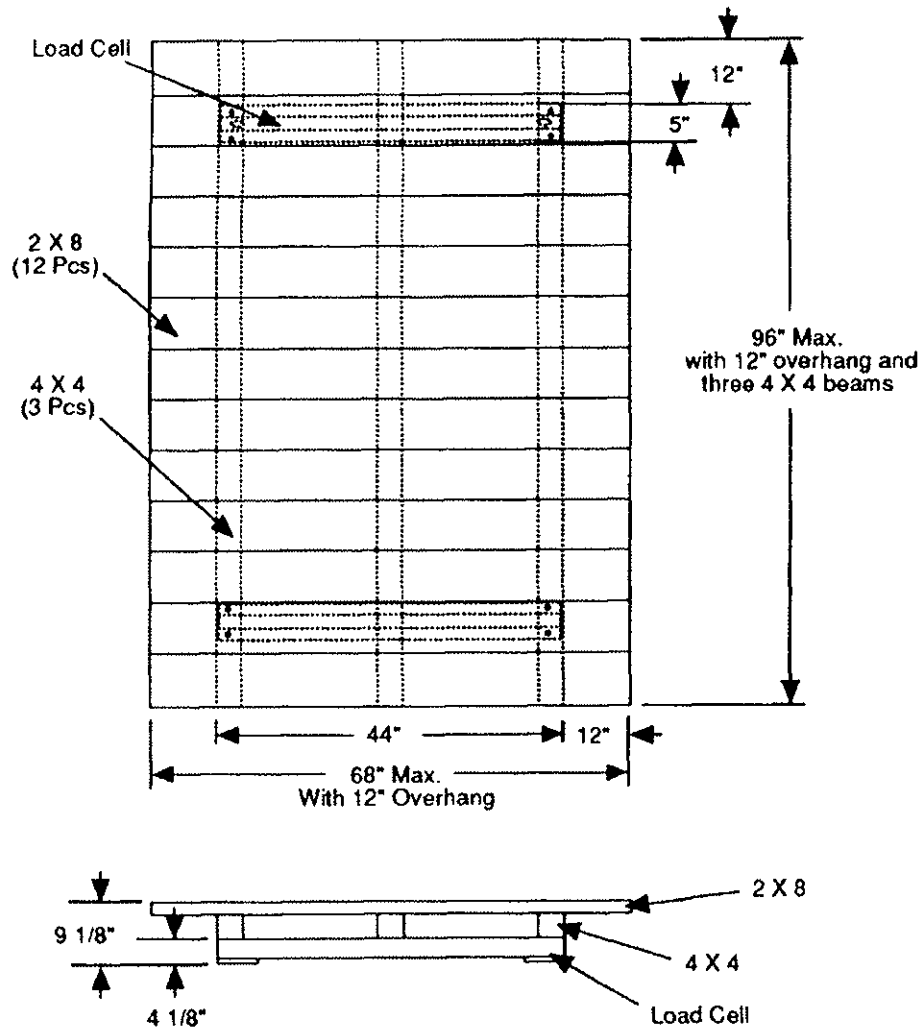
Model 3300 (3300 LB [1500 KG] Gross Capacity)

This is a typical platform that may be used with the Stockweigh Model 3300. Do not allow deck to overhang more than 6 inches past the edge of the load cell.



Stockweigh 6600 (6600 LB [3000 KG] Gross Capacity)

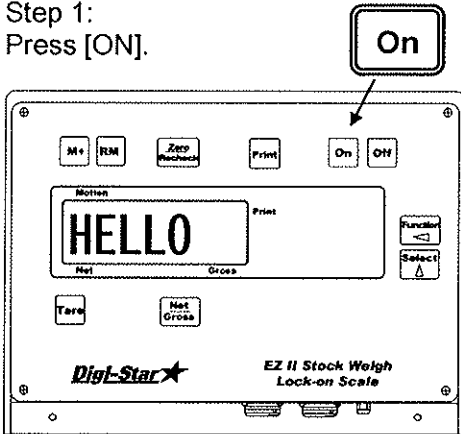
This plan is an example of a platform that may be used with the Stockweigh Model 6600. Do not allow deck to overhang more than 12 inches past the edge of the load cell.



System Operation:

Turning ON the Scale:

Step 1:
Press [ON].



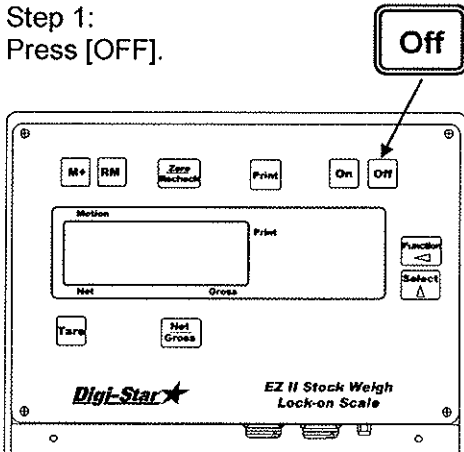
A brief message will be displayed (such as "HELLO"). The scale then selects the GROSS weighing mode.

GROSS mode displays the weight change since the unit was last ZERO/BALANCED.

Note: Pressing [ON] a second time during normal system operation starts the self test.

Turning OFF the Scale:

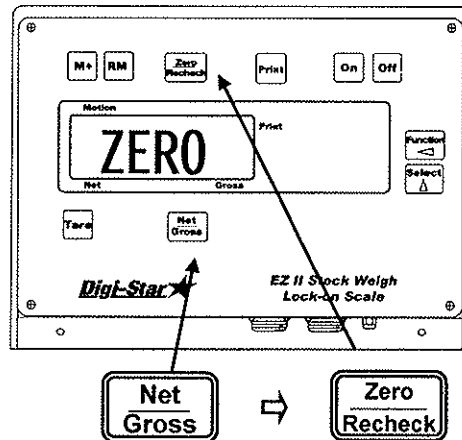
Step 1:
Press [OFF].



To Zero-Balance the Scale:

Step 1:
Press the [NET/GROSS] key and within three seconds,

Step 2:
Press the [ZERO/RECHECK] key.



The ZERO/BALANCE will "balance off" the dead load such as a trailer, bin or platform weight.

"ZERO" is displayed to show completion of the step and the scale is then placed in the GROSS mode.

Pressing only the [ZERO/RECHECK] key will the message:

"TO ZERO/BALANCE PRESS NET/GROSS – THEN ZERO" to be displayed.

NOTE: If the Lock-On mode is enabled for animal weighing, then the [ZERO/RECHECK] key will cause the scale to recalculate the present Lock-On weight.

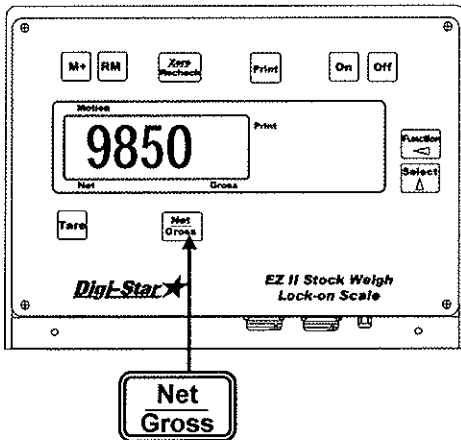
System Operation:

If the supply power is below the "low battery threshold" (10.5 Volts), the message "INDICATOR CANNOT BE ZERO/BALANCED – LOW BATTERY VOLTAGE" is displayed. The message "LO BAT" will be periodically shown on the display (approx. every five seconds) to alert the operator of the low battery condition.

To Select Gross Mode:

GROSS mode displays the weight change since the unit was last ZERO/BALANCED.

Step 1:
Press [NET/GROSS].

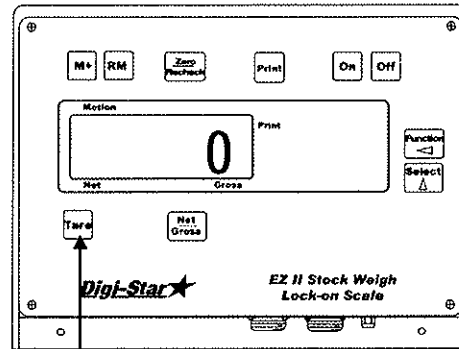


NOTE: The scale is in GROSS mode if there is a flashing arrow pointing toward the GROSS text just above the [NET/GROSS] key.

To Select Net Mode:

NET mode displays the weight change after a TARE has been performed. TARE is a temporary "zero" point.

Step 1:
If the scale "TARE" weight has not been entered, press [TARE] to acquire a "zero."



Or

Step 2:
If in Gross mode, press

[NET/GROSS]. The [NET/GROSS] key is an alternating action key. If the scale is in the GROSS mode, pressing the [NET/GROSS] key will place it in the NET mode. If the scale is in the NET mode, pressing the [NET/GROSS] key will place it in the GROSS mode.

If the "TARE" function has not been previously performed, the unit will stay in the Gross mode and the message "FOR NET MODE PRESS TARE" will scroll across the display.

NOTE: The scale is in NET mode if there is a flashing arrow pointing toward the NET text just above the [TARE] key.

LOCK-ON SETUP

Located in Menu 1 of the Long Form Setup will select a value 1 through 9 to adjust "Lock On" weigh method. By selecting a low value such as 1 or 2, the system becomes more sensitive to animal movement. Selecting a high number such as 8 or 9 will allow the scale to lock-on faster. Use the lowest setting that stills allows the system to consistently lock-on for greatest accuracy. The suggested default setting is 8.

Optional 3200 Indicator

To Print:

Scale data can be sent to a printer by pressing:

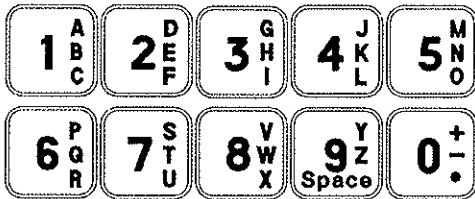
Print

Sample output is as shown below.

```
10JA92 12:01P
123456 ID 123456LB GR
```

Enter Identification Number: ID#

1) Type in the ID number using the numeric pad:



2) Press **I.D. #**

The ID# has now been entered into the indicator and it is ready to weigh.

Display Identification Number

Press **I.D. #**

Clear Identification Number from Memory

To clear the identification number from memory:

Press **Clear** followed by **I.D. #**

Add Weight to Weigh Memory

The displayed weight can be Stored in memory by pressing: **M+**

The weigh memory will be temporarily displayed.

If a weight was previously stored, the displayed weight is added to the weigh memory.

Recall Weigh Memory

The value of total weight in memory can be displayed by pressing:

RM

The weigh memory will be temporarily displayed.

Clear Weigh Memory

The weigh memory is cleared by pressing:

Clear then **RM**

Print Weigh Memory

To print the value of total weight in memory:

Press **RM** followed by **Print**

Weigh Averaging

The Weigh Memory feature can also be used to determine the average weight of several loads. This is done by using the [M+] key to add multiple weight values to the weigh memory.

To display the average weight, press the [RM] key twice within three seconds.

The "COUNT" or number of weight values added to the weigh memory will be displayed first. Then the message AVERAG" is displayed, followed by the average weight value.

To print the average weight value, press the [PRINT] key while the average weight is displayed.

Animal Weighing

The *Lock-On* weigh method has the ability to determine the actual weight of items *while in motion*, such as animals. Once the actual weight is displayed, the scale "Locks-On" to the displayed weight and does not change, even if the motion never stops. A small 'L' appears on the left side of the display indicating the weight is "Locked-On." The animal's weight must be greater than 2.5% of the scales "capacity" weight before the system can "Lock-On."

In order to *break the lock*, 50% of the displayed weight must be either added or removed from the scale. The "Locked-On" weight can be "rechecked" by pressing the [ZERO] key on the front panel. This breaks the "lock" and the scale recalculates the weight.

WEIGHING ANIMALS WHILE UNLOADING:

With the animal loaded on the platform, push the "TARE" button. The scale now indicates zero with the animals on the scale. Remove an animal from the platform and the scale should indicate the weight of the animal.

WEIGHING ADDITIONAL ANIMALS:

Once the scale locks onto a weight, the scale will reactivate and start weighing when another animal is added to the platform.

For more information on selecting weigh method, please contact Digi-Star Technical Service at (920) 563-7900 and request Digi-Star Technical Manual (F3583).

Installation Requirements:

Indicator Mounting:

The indicator is easily attached to the Indicator Mounting Bracket by hooking the top over the plate and securing the bottom with two (2) bolts (size# 10 x 24 x 3/4") and nuts.

Power Connection:

The power cable should be connected directly to a vehicle battery or regulated power supply. The scale end of the power cable is attached to the J901 connector located on the bottom panel of the scale.

The indicator is fused internally at 4 Amps.

Load Cell Connection:

The indicator is designed to operate with two strain gage load cells. The system will optionally be supplied with a "Y" cable (P/N 148155) going between the scale and the load cell assembly. Extension kits are available from your dealer in various lengths.

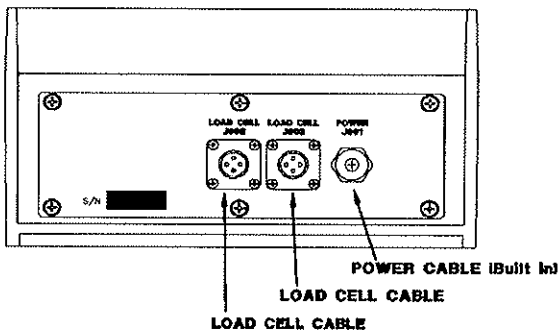
IMPORTANT!

If the rear end of a working chute is not bolted solidly to a concrete foundation, then it must be restrained from movement greater than about one inch with a chain or other flexible means.

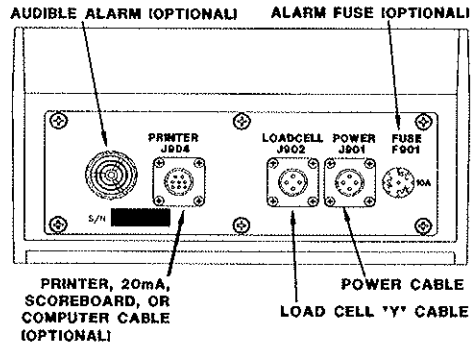
Technical Manual:

Technical manual available upon request. Please call (920) 563-9700 and request Digi-Star Technical Manual (F3583).

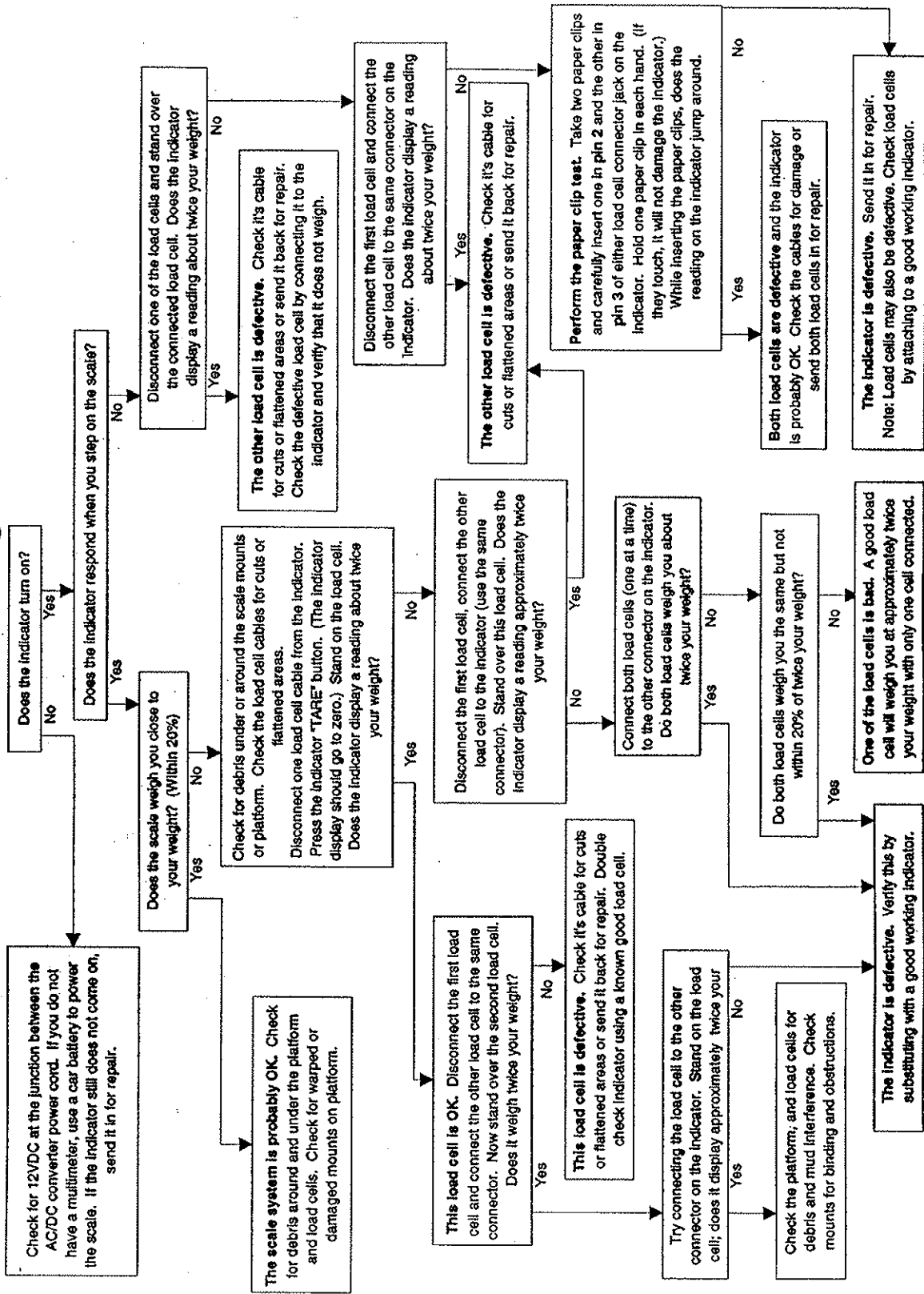
**STANDARD
SCALE BOTTOM PANEL
CABLE CONNECTIONS**



**OPTIONAL
SCALE BOTTOM PANEL
CABLE CONNECTIONS**



Troubleshooting Guide



Need help? Call Digi-Star Technical Service at 920-563-9700

