

INSTALL MOUNTS

1. ORIENT MOUNTS (4) SO THAT THEY ARE ROTATED 90 DEGREES AS SHOWN IN FIGURE 2.
2. ATTACH TOP MOUNT TO BIN STRUCTURE USING 5/8" DIA. OR M16 BOLTS (3).
3. ATTACH BOTTOM MOUNT TO SUPPORTING STRUCTURE USING 5/8" DIA. OR M16 BOLTS.

NOTE: WHEN USING CONCRETE UNDER CT MOUNTS, USE PLATE (PN 400419) TO PROTECT CONCRETE FROM DAMAGE DUE TO EXTREME PRESSURE.

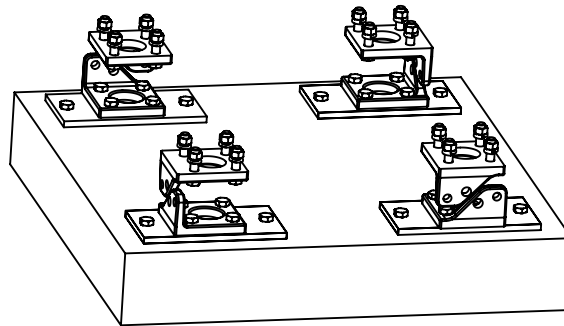


FIGURE 2

ASSEMBLE MOUNTS

4. INSTALL PLATES (8,9) USING M16 BOLTS (3), NUTS (1) AND LOCKWASHERS (2) SUPPLIED.
 - A. PASS BOLTS (10) THRU WELDED PLATE (9) AND MOUNT AS SHOWN IN FIGURE 3.
 - B. THREAD BOLT INTO INSIDE PLATE (8) LEAVING ABOUT 1/16" (2mm) SPACE BETWEEN PLATES AND MOUNT.
 - C. ATTACH NUTS (11) AND LOCKWASHERS (12) AND TIGHTEN SECURLY.

IMPORTANT: PLATES MUST BE LOOSE AND ABLE TO MOVE FREELY EVEN AFTER NUT IS TIGHTENED. SEE FIGURE 3.

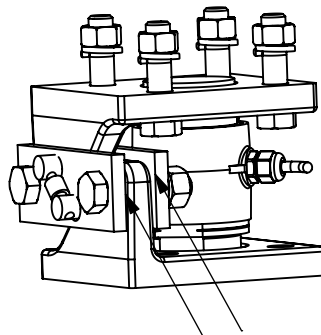
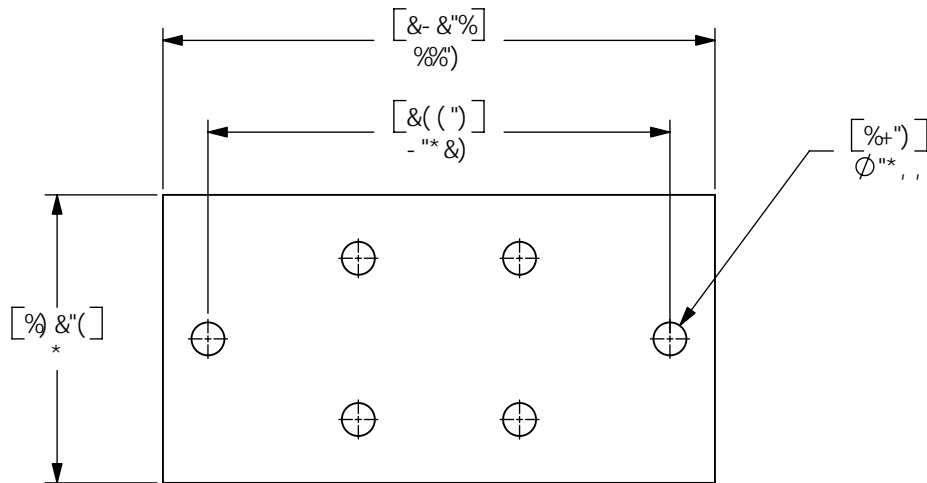
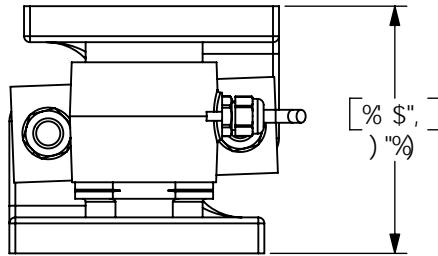
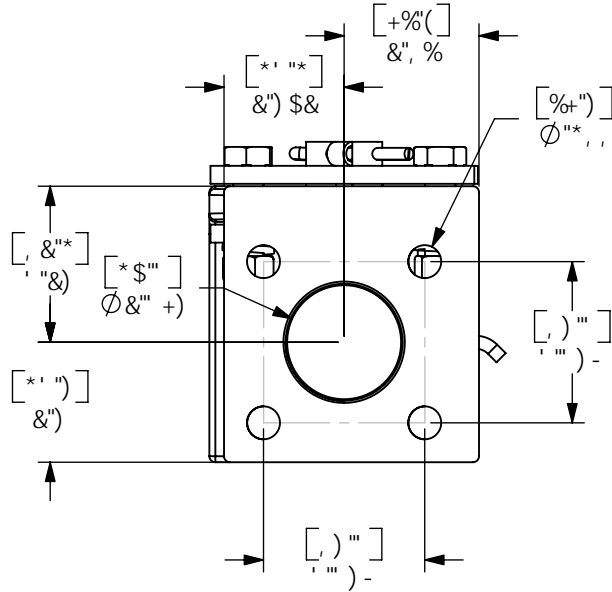


FIGURE 3



ÔVÁ [~ } o Á Q • ca / a a } Á a } a }

A C I B H B ; ' 8 A 9 B G € B G



D 5 H 9 D B ' (\$ \$ (%